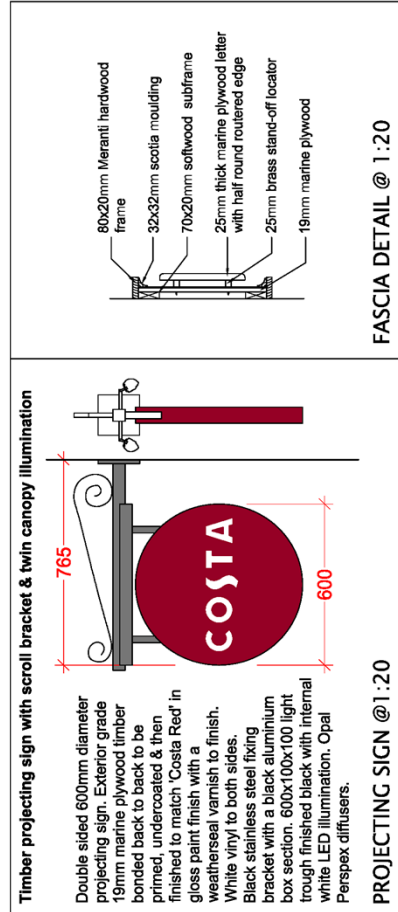


- 1. 'COSTA' lettering - See detail
- 2. 600mm Costa projecting sign - See detail
- 3. Existing shopfront & doors made good & sprayed Umbra Grey RAL 7022
- 3. Existing shopfront & doors made good & sprayed Umbra Grey RAL 7022

ELEVATION @ 1:50



Timber projecting sign with scroll bracket & twin canopy illumination

Double sided 600mm diameter projecting sign. Exterior grade 19mm marine plywood timber bonded back to back to be primed, undercoated & then finished to match 'Costa Red' in gloss paint finish with a weatherseal varnish to finish. White vinyl to both sides. Black stainless steel fixing bracket with a black aluminium box section. 600x100x100 light trough finished black with internal white LED illumination. Opal Perspex diffusers.

PROJECTING SIGN @ 1:20

FASCIA DETAIL @ 1:20